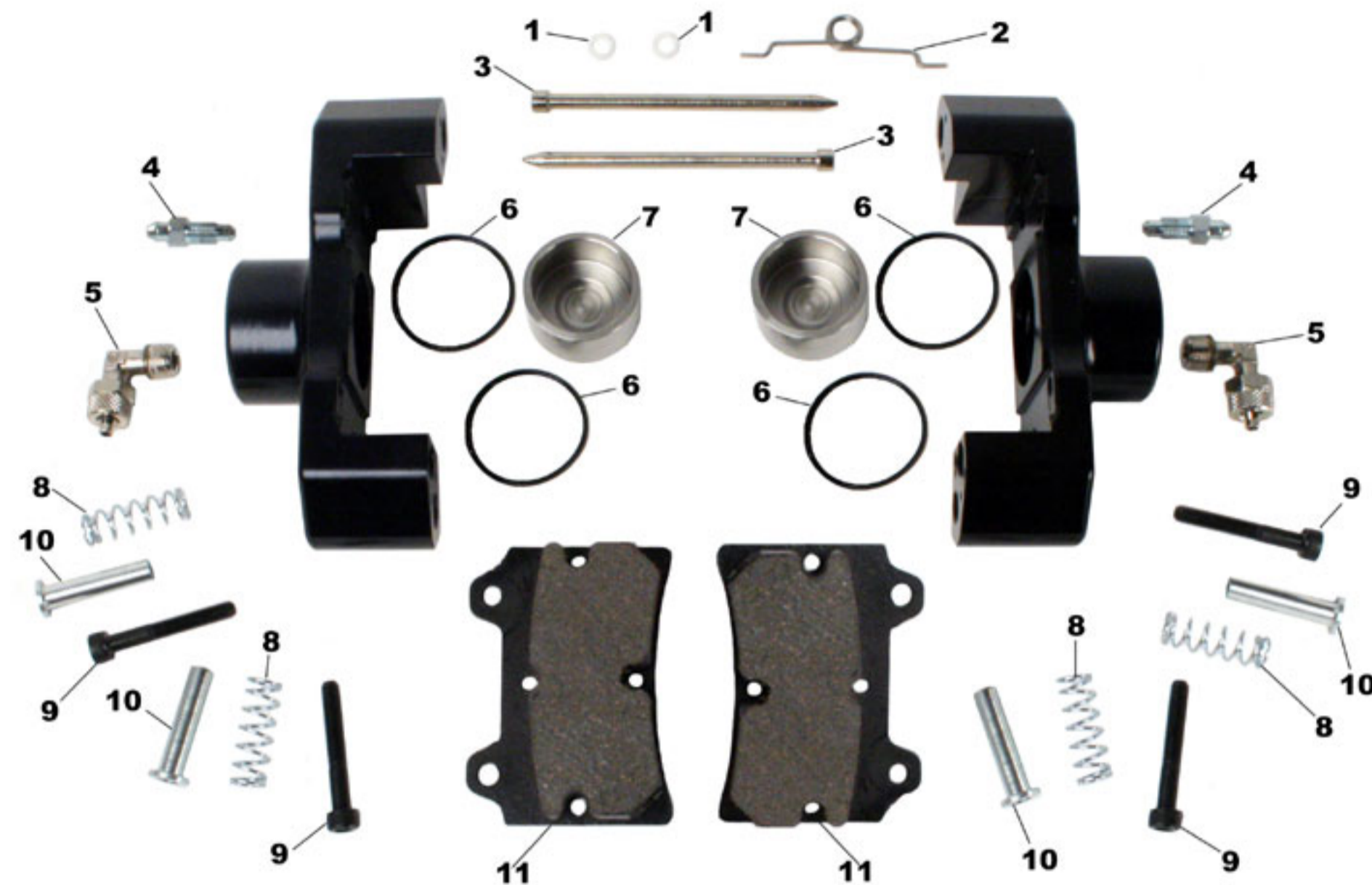
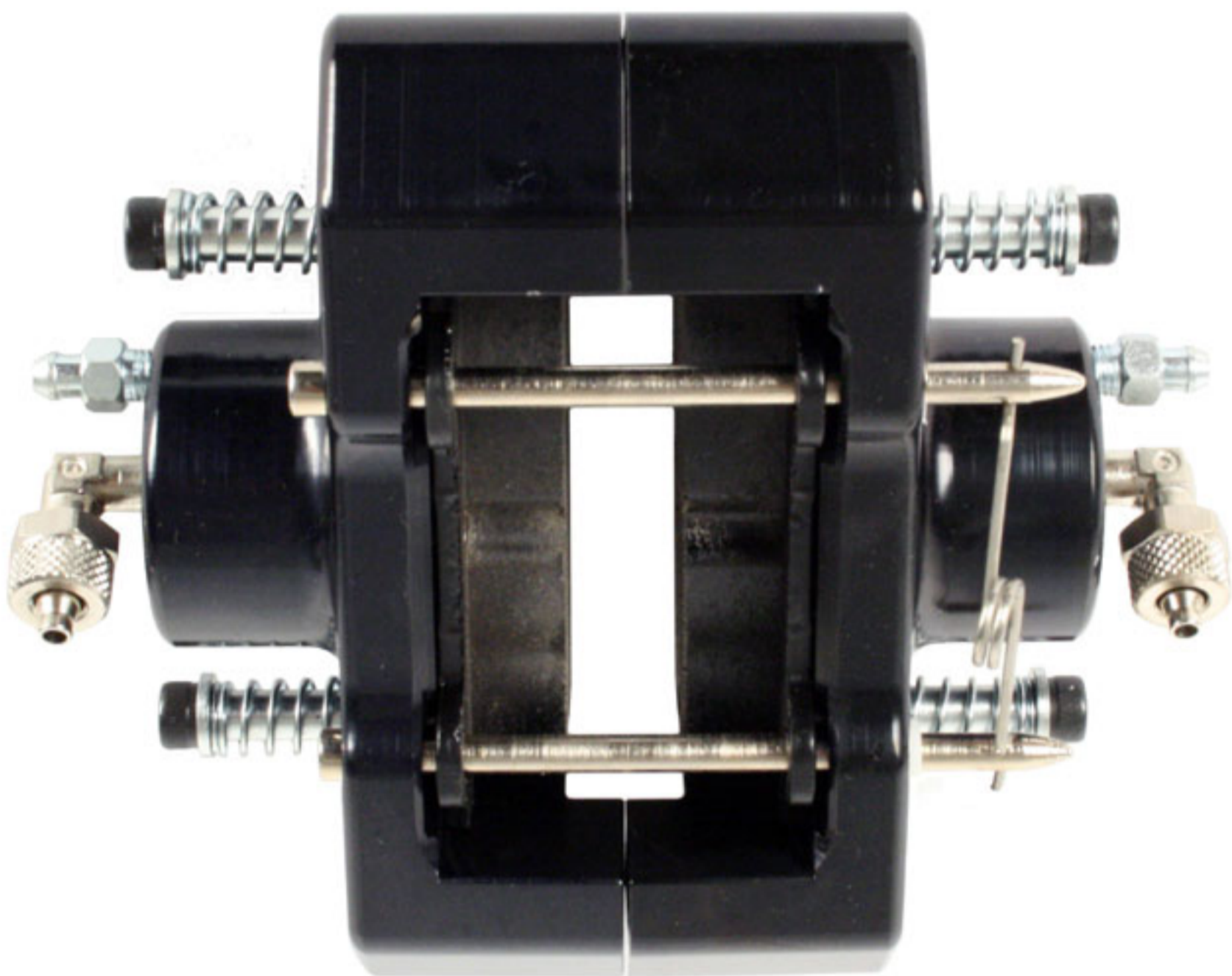


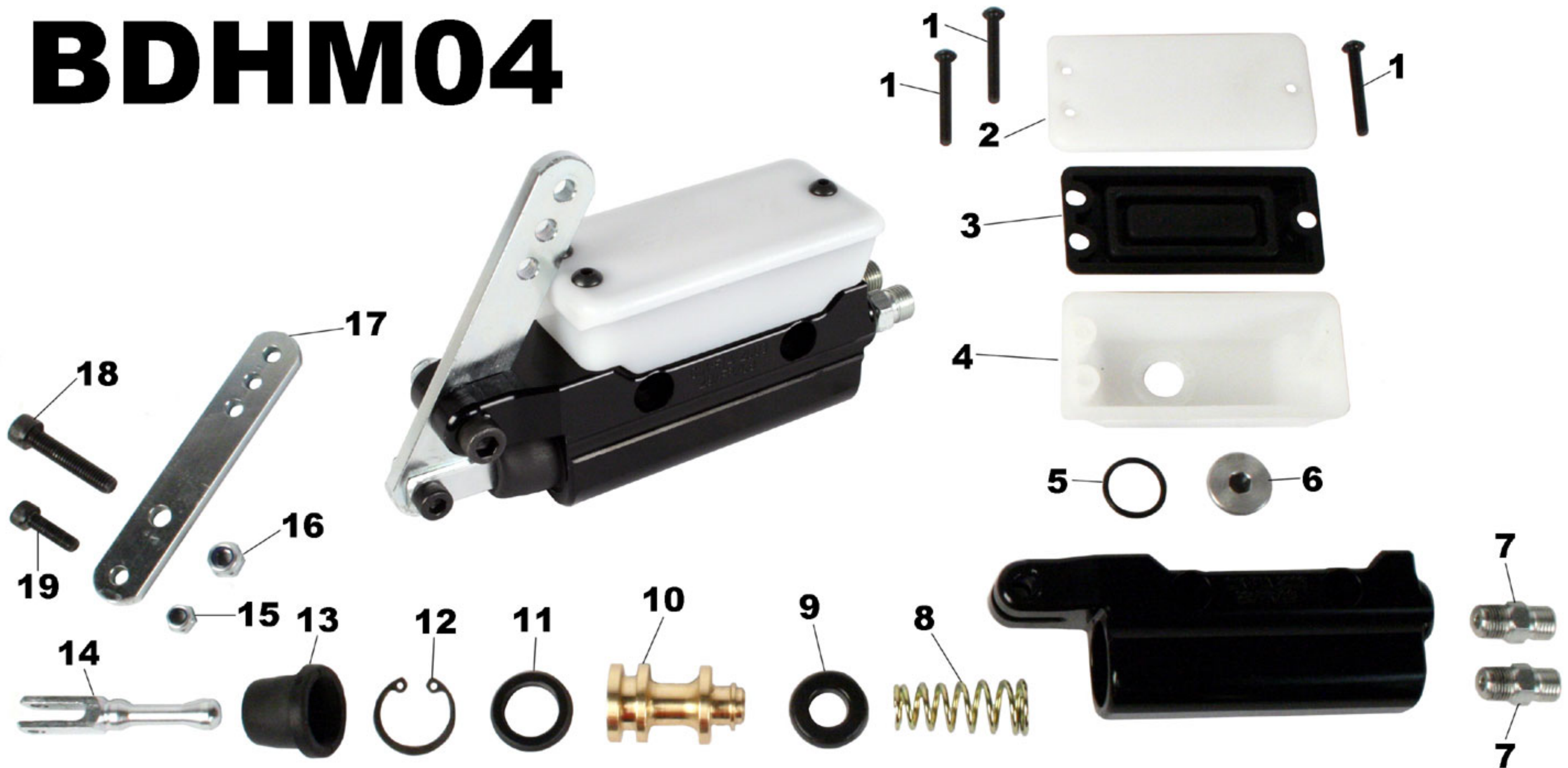
BDHC02-B - Rear Caliper 2-Spot



Ref No.	Product Code	Description
1	BDHC28W	Pad Safety Pin Washer 98 (2 & 4 Spot Billet Calipers)
2	BDHC28C	Pad Safety Pin Springclip 98 Billet (2 & 4 Spot Calipers)
3	BDHC2898	Pad Safety Pin 2-Spot Billet Caliper (89mm Long)
4	BDHC15	Dent Caliper Bleed Screw
5	BDHF10	90 Degree Fitting & Nut
6	BDHC14	Caliper O-Ring Large Fits 2-Spot Polished & Billet
7	BDHC30B	Caliper Piston 2-Spot Billet Suits BDHC02-B
8	BDHC27	Pad Return Spring 2-Spot 98 Billet Caliper
9	BDHC27B	Pad Return Bolt 98 Billet Caliper (BN535)
10	BDHC27S	Pad Retainer Sleeve 31mm For Billet 2-Spot Calliper
11	BDHL7	Brake Pad Set Hard 15mm (1 Pair) (BDM186 Spec.)

Master Cylinder - All but 125

BDHM04



Ref No.	Product Code	Description
---------	--------------	-------------

1	BDHM66B	Master Cylinder Top Screw
2	BDHM45BW	Dent Master Cylinder Top Lid White
3	BDHM50B	Master Cylinder Diaphragm
4	BDHM60B	Master Cylinder Reservoir
5	BDHM70B	Master Cylinder Reservoir O-Ring
6	BDHM65B	Master Cylinder Reservoir Attachment Bolt
7	BDHF30	Straight Fitting Braided Line
8	BDHM41	Master Cylinder Piston Spring
9	BDHM13	Master Cylinder Seal
10	BDHM40	Master Cylinder Piston
11	BDHM14	Master Cylinder Seal
12	BDHM42	Master Cylinder Piston Circlip
13	BDHM55B	Master Cylinder Dust Cover
14	BDHM31	Master Cylinder Clevis & Pushrod
15	BNL5	Nyloc Nut 5mm
16	BNL6	Nyloc Nut 6mm
17	BDHM20BS	Master Cylinder Lever Arm
18	BN630	Capscrew 6 X 30
19	BN520	Capscrew 5 X 20